

3.5MPa B1型銅管くい込継手  
(35kgf/cm<sup>2</sup>)

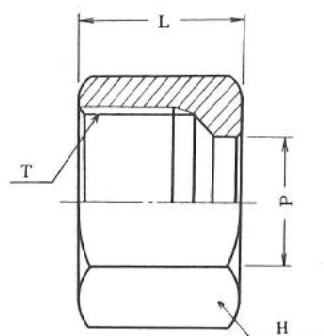
**GN-B1型**

**NUT**



JIS H3250 C3771BE-F

単位：cm



ナットの呼称 Designation of nut	各部の記号 Symbols of respective parts	適用する管の外径 Tube(O.D) P	L	六角対辺 H Opposite sides of hexagon	T
GN- 4 -B1		4	10	10	M 8×P1.0
GN- 6 -B1		6	11	12	M10×P1.25
GN- 8 -B1		8	12	14	M12×P1.25
GN-10-B1		10	12	17	M14×P1.5
GN-12-B1		12	12.5	19	M16×P1.5
GN-14-B1		14	14	23	M20×P1.5
GN-15-B1		15	14	23	M20×P1.5
GN-20-B1		20	14.5	29	M26×P1.5
GN-25-B1		25	14.5	36	M32×P1.5

3.5MPa B1型銅管くい込継手  
(35kgf/cm<sup>2</sup>)

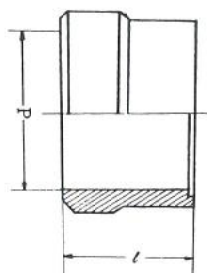
**GO-B1型**

**SLEEVE**



JIS H3250 C3604BD-F

単位：mm



継手の呼称 Designation of Joints	適用する管外径 P Tube(O.D)	ℓ
GO- 4 -B1	4	7
GO- 6 -B1	6	7
GO- 8 -B1	8	7.5
GO-10-B1	10	7.5
GO-12-B1	12	7.5
GO-14-B1	14	8.5
GO-15-B1	15	8.5
GO-20-B1	20	8.5
GO-25-B1	25	9